

## LOADING INSTRUCTIONS

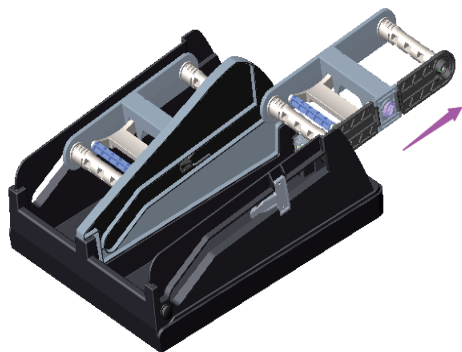
### Quad Hi-Capacity Small Core Tissue Dispenser

[Click to Watch the How To Video](#)



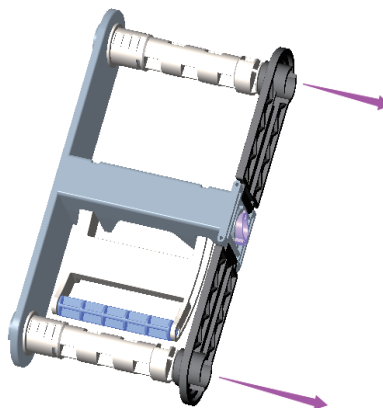
#### Step 1-

Insert key into lock located at top of dispenser. Open front cover being careful not to allow front cover to drop freely. Slide each tissue bracket out of the top of the dispenser as shown.



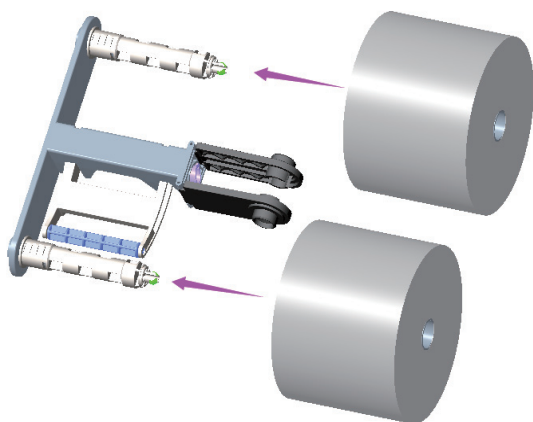
#### Step 2-

Pull the top and bottom of the right-side carriage arms to open as shown.



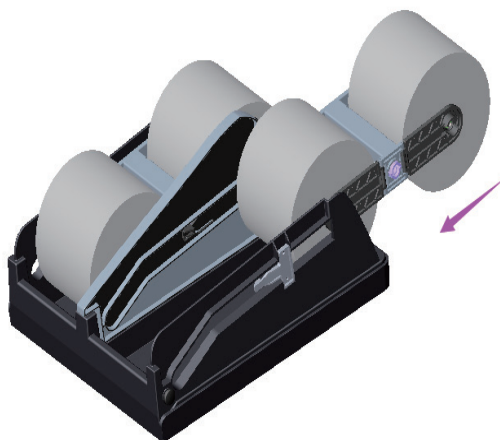
#### Step 3-

Load the toilet paper roll onto each spindle ensuring that the leading edge of the tissue is dispensing from the front of the rolls.



#### Step 4-

Slide each bracket back into the dispenser as shown. Ensure that each bracket is inserted into the dispenser properly. Note that each bracket is marked with the word "front" indicating the front side of the bracket to ensure that the bracket is not installed backwards. In addition, each bracket is marked with "up" and "down" messaging arrows to ensure that bracket is not installed upside down.



#### Step 5-

Close front cover ensuring that lock latch is secure. To obtain paper, simply pull the paper from the bottom of the dispenser. The dispenser is now ready.

