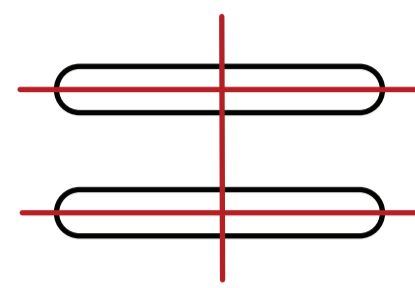
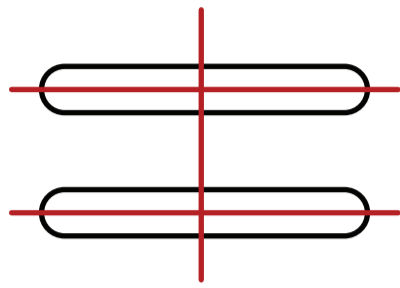


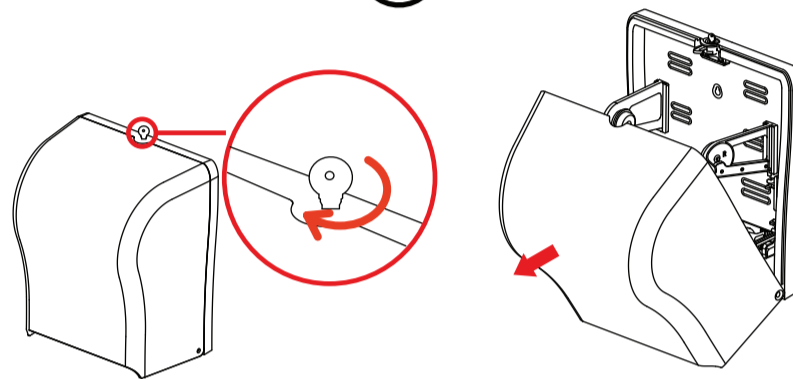


Mounting Template



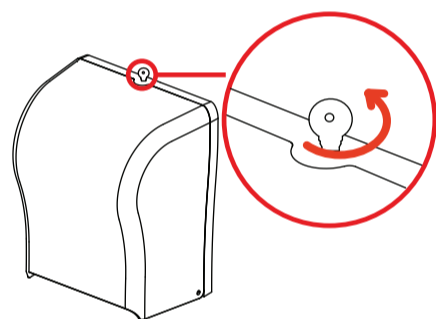
Screw kits:

Key 1pc
Screw 4pcs
Plastic wall anchors 4pcs

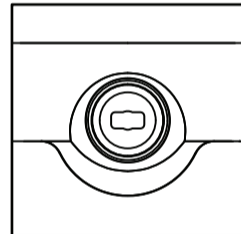


Tools:

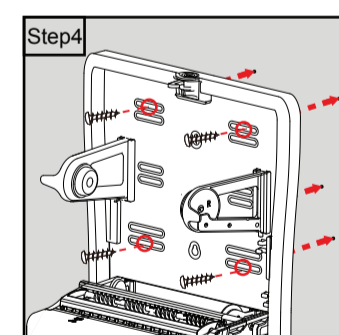
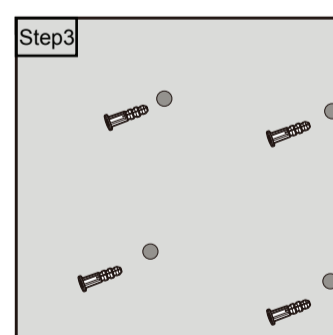
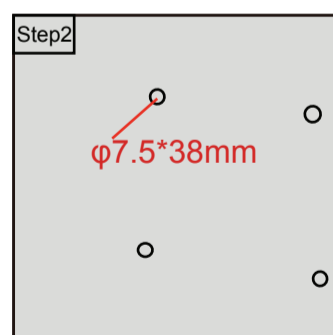
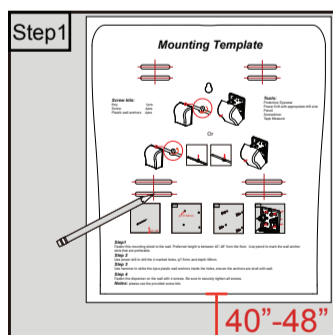
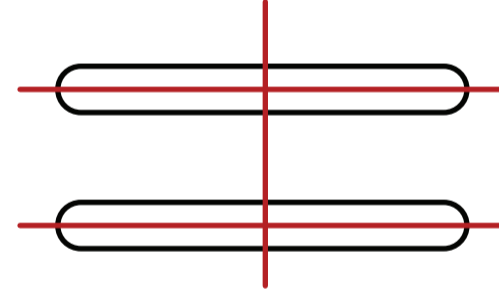
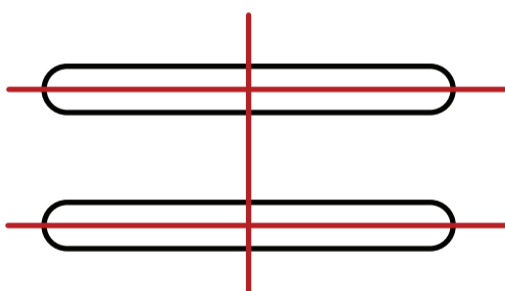
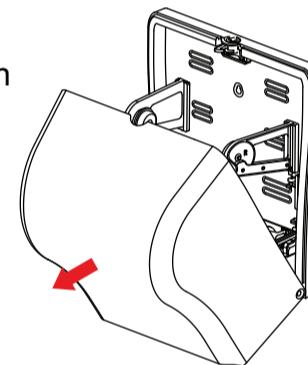
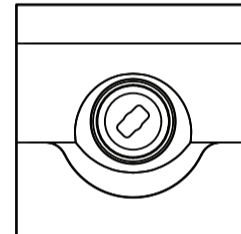
Protective Eyewear
Power Drill with appropriate drill size
Pencil
Screwdriver
Tape Measure



Keyed Operation Push Button Operation



Or



Step 1

Fasten this mounting sheet to the wall. Preferred height is between 40"-48" from the floor. Use pencil to mark the wall anchor slots that are preferable.

Step 2

Use power drill to drill the 4 marked holes, $\phi 7.5$ mm and depth 38mm.

Step 3

Use hammer to strike the 4pcs plastic wall anchors inside the holes, ensure the anchors are level with wall.

Step 4

Fasten the dispenser on the wall with 4 screws. Be sure to securely tighten all screws.

Notes: please use the provided screw kits.